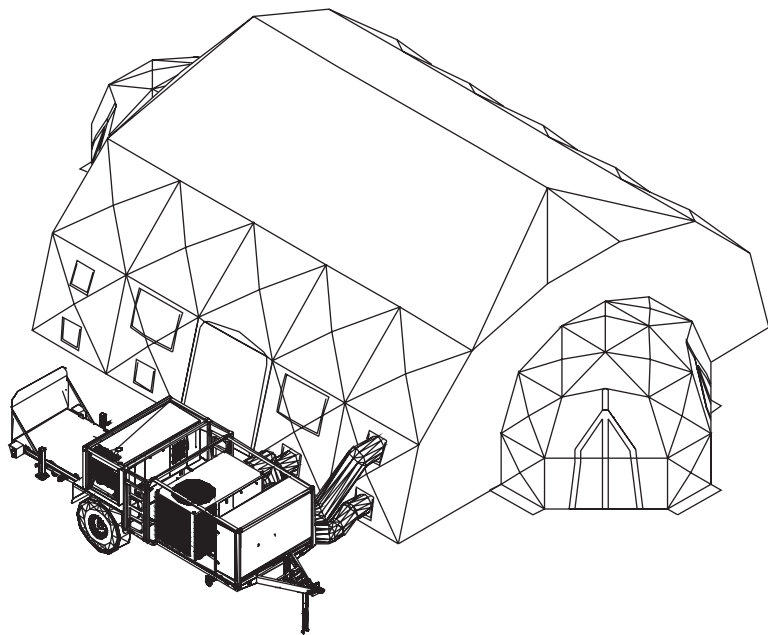
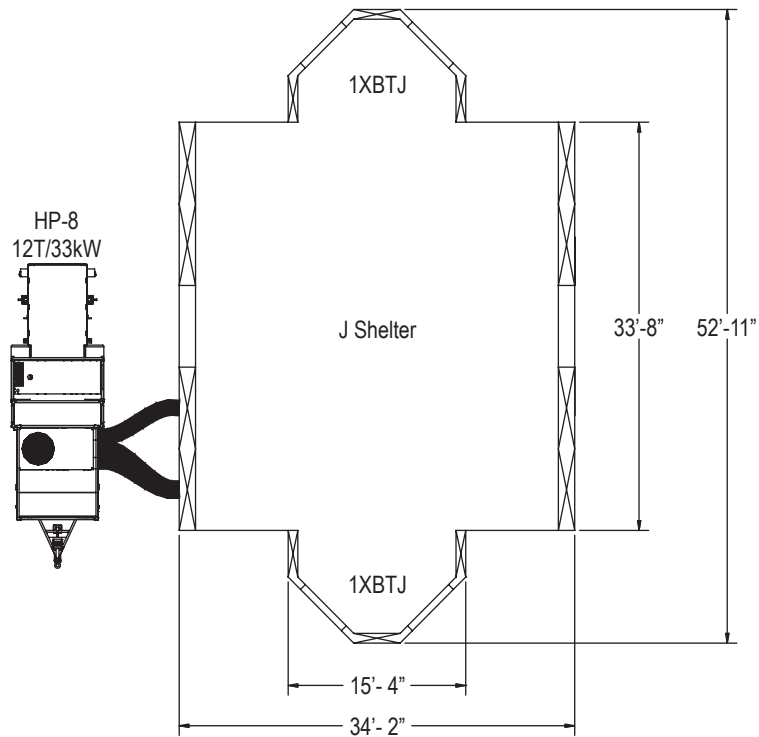


DRASH[®] SICPS TMSS LARGE SHELTER SYSTEM





**SICPS TMSS LARGE SHELTER SYSTEM
J SHELTER W/ HP-8
(LMTV/FMTV Towable)**

LIN (Large): P63394
NSN (Large Tan): 8340-01-537-8710
NSN (Large Green): 8340-01-537-8713

LARGE SHELTER SYSTEM SPECIFICATIONS

HP-8 Trailer

45 gallon fuel tank	✓
Ground slingload capable	✓
6" channel steel	✓
LMTV/FMTV Runflat Tires	✓

Environmental Control Unit (12 TON)

144,000 BTU/hr (cool)	✓
90,000 BTU/hr (heat)	✓
17,000 BTU/hr (pre heater)	✓

Generator

33kW (1.25 gph @ full load)	✓
-----------------------------	---

J Shelter

1,120 sq ft	✓
1,600 lbs	✓
Total System Weight	11,900 lbs (w/full fuel) 1,180 lbs (tongue weight)
LMTV/FMTV Towable	✓
Tested/Verified @ ATC*	✓

*Aberdeen Test Center, Aberdeen, MD



1-877-GO-DRASH drash@drash.com www.drash.com